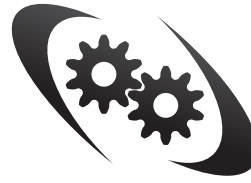
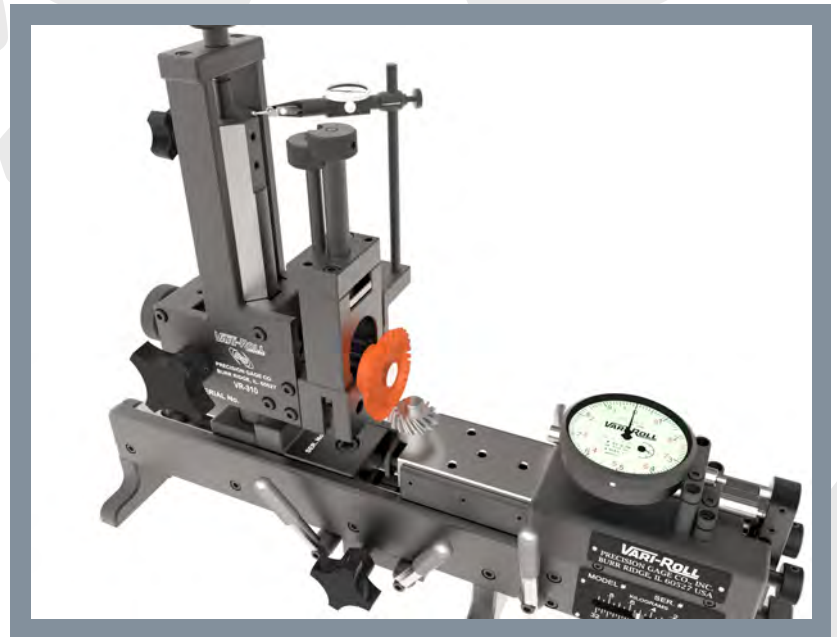
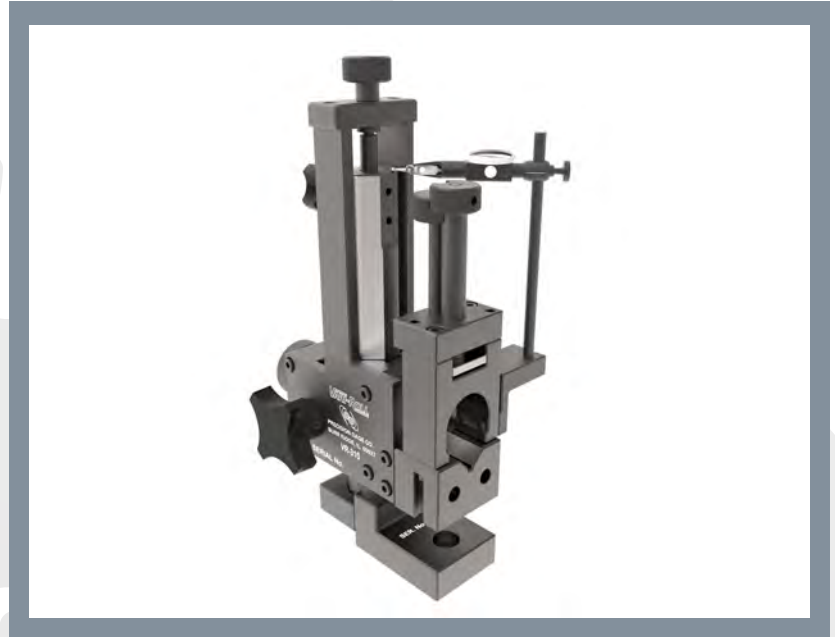


The VARI-ROLL bevel gear attachment allows efficient testing of 90-degree bevel gear sets and spur and helical face gears by the tight-mesh composite method. The vertical movement is provided by a pre-loaded rack and pinion gear adjustment system with an integral fine adjustment lead screw. The indicator checks the variation from a preset position on the vertical axis.



VARI-ROLL



+ SPECIFICATIONS

Maximum center distance:

- on VR-G2 6" / 152mm
- on VR-G4 10" / 254mm

Maximum gear diameter capacity

- on headstock 6-1/2" / 165mm
- on VR-310 9" / 230mm

MADE IN
USA

PRECISION GAGE COMPANY

"Quality Since 1948"

100 Shore Dr.
Burr Ridge, IL 60527
www.precisiongageco.com

Phone: (630) 655-2121
Fax: (630) 655-3073
sales@precisiongageco.com

