



**PRECISION GAGE COMPANY**

*"Quality Since 1948"*

100 Shore Dr.  
Burr Ridge, IL 60527  
[www.precisiongageco.com](http://www.precisiongageco.com)

Phone: (630) 655-2121  
Fax: (630) 655-3073  
[sales@precisiongageco.com](mailto:sales@precisiongageco.com)



TESA Brown & Sharpe precision measuring instruments. Quality drives productivity.

Valid until 04.30.2019  
Prices exclude VAT  
Version B&S - EN - USD

## TESA-HITE

Robust and reliable. Ideally suited for multi-functional applications on the shop floor.



## TESA-HITE PLUS M

A 2D motorized height gage that offers a wide range of functions and an unparalleled price/performance ratio.

Order Number	EDP Number	Description	Application Range (in)	Maximum Permissible Errors (in)	Repeatability Limit (in)	Reg. Price	Promo Price
00730043	24675	TESA-HITE 400	0 - 16	.0001+.000004L	On flat: 2σ < .00015 Into bore: 2σ < .00020	\$4,790	<b>\$4,310</b>
00730044	24676	TESA-HITE 700	0 - 28	.0001+.000004L	On flat: 2σ < .00015 Into bore: 2σ < .00020	\$5,490	<b>\$4,940</b>
00730045	35359	TESA-HITE plus M 400	0 - 16	.0001+.000003L	On flat: 2σ < .00005 Into bore: 2σ < .0001	\$7,210	<b>\$5,395</b>
00730046	35360	TESA-HITE plus M 700	0 - 28	.0001+.000003L	On flat: 2σ < .00005 Into bore: 2σ < .0001	\$7,880	<b>\$5,895</b>

See our measurement tutorial videos



<http://go.HexagonMI.com/HGvideo>

## TESA μ-HITE

The ultra compact turnkey solution for the product line

With its application range of 4 inches (100 mm), this measuring station for workshops and laboratories is suitable for measuring small parts.

Installed quickly, its high accuracy (.00005 in) not only matches the most powerful height gages, but also 1D probes, which are often expensive to install and less flexible in terms of application.



**HIGH ACCURACY**

Order Number	EDP Number	Description	Maximum Permissible Errors (in)	Repeatability Limit (in)	Reg. Price	Promo Price
00730503	76648	TESA μ-HITE	Coaxial: .00005 Offset: .0001	Coaxial: .00002 Offset: .00004	\$5,295	<b>\$4,765</b>



SCS certificate included



## INTRIMIK CAPA $\mu$ SYSTEM WITH DIGITAL DISPLAY - FULL SETS

A successful combination of our patented TESA capacitive system with the unique IMICRO cone.

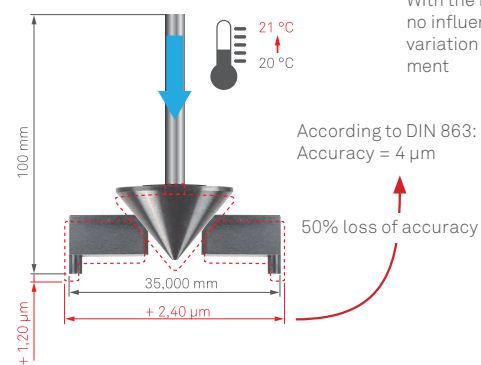
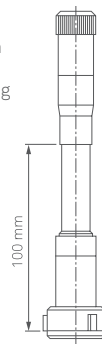


FROM  
**\$2,665**

Order Number	EDP Number	Application Range (in)	Instrument Part Number	Instrument Range (in)	Setting Ring Part Number	Setting Ring Size (in)	Extension Part Number	Size (in)	Reg. Price	Promo Price
599-290-6	27530	.138 - .256	599-290-28-1	.138 - .1575	00860100	.1575			\$5,181	<b>\$4,250</b>
			599-290-30-1	.1575 - .177	00860101	.2165				
			599-290-32-1	.177 - .2165						
			599-290-34-1	.2165 - .256						
599-290-8	27531	.236 - .472	599-290-35-1	.236 - .315	00860102	.315	00840001	3.94	\$3,251	<b>\$2,665</b>
			599-290-42-1	.315 - .394	00860103	.394				
			599-290-50-1	.394 - .472						
599-290-10	27532	.433 - .787	599-290-60-1	.433 - .55	00860104	.433	00840301	5.9	\$3,397	<b>\$2,785</b>
			599-290-70-1	.55 - .670	00860105	.67				
			599-290-80-1	.670 - .787						
599-290-12	27533	.787 - 1.58	599-290-100-1	.787 - .984	00860106	.984	00841100	5.9	\$4,765	<b>\$3,905</b>
			599-290-120-1	.984 - 1.18	00860107	1.38				
			599-290-140-1	1.18 - 1.38						
			599-290-160-1	1.38 - 1.58						
599-290-14	27534	1.58 - 2.75	599-290-200-1	1.58 - 1.97	00860108	1.97	00841800	5.9	\$4,561	<b>\$3,740</b>
			599-290-240-1	1.97 - 2.36	00860109	2.75				
			599-290-280-1	2.36 - 2.75						
599-290-18	27535	2.75 - 3.95	599-290-320-1	2.75 - 3.15	00860109	2.75		\$5,032	<b>\$4,125</b>	
			599-290-360-1	3.15 - 3.54	00860110	3.54				
			599-290-400-1	3.54 - 3.95						
599-290-20	27536	3.95 - 7.88	599-290-420-1	3.95 - 4.94	00860111	4.921	00842600	5.9	\$10,278	<b>\$8,430</b>
			599-290-440-1	4.94 - 5.90	00860112	6.889				
			599-290-460-1	5.90 - 6.90						
			599-290-480-1	6.90 - 7.88						

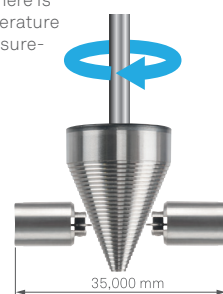
### Other manufacturers

There is an influence of temperature variation with internal micrometers from other manufacturers during measurement



### INTRIMIK

With the INTRIMIK, there is no influence of temperature variation during measurement



## BROWN & SHARPE ENAMEL FRAME MICROMETERS

- Thimble with friction drive for one-hand use
- Deactivate the friction drive by reversing the sleeve
- Black enamel frame



**\$90**

00180070

Order Number	EDP Number	Description	Reg. Price	Promo Price
00180070	76832	0-1 in, Straight Lines	\$110	<b>\$90</b>
00180071	76833	1-2 in, Straight Lines	\$120	<b>\$98</b>
00180072	76834	2-3 in, Straight Lines	\$125	<b>\$103</b>
00180073	76835	3-4 in, Straight Lines	\$130	<b>\$107</b>



## MICROMASTER MICROMETER WITH 7 PAIRS OF INTERCHANGEABLE INSERTS

- Non-rotating spindle, without spindle lock

Order Number	EDP Number	Description	RS-232 Output	Reg. Price	Promo Price
60.30045	27563	MULTI-ANVIL MICROMETER	Y	\$1,906	<b>\$990</b>



**\$990**

60.30045

## MICROMASTER DEPTH MICROMETER

- 3-key functions with RS-232 data output
- Non-rotating spindle
- Hardened steel measuring foot faces: 4 inches x 0.6 inches
- Hardened steel measuring rods 0.12 inch diameter
- Measuring span 0 - 3.5 inches with 3 rods, 0 - 7 inches with 6 rods

Order Number	EDP Number	Description	RS-232 Output	Accuracy (in)	Reg. Price	Promo Price
60.30069	27460	Depth Micrometer, 0 - 3.5 in	Y	.00016	\$1,281	<b>\$895</b>
60.30070	27461	Depth Micrometer, 0 - 7.0 in	Y	.00016	\$1,485	<b>\$1,040</b>

\*IP54 compliant when RS-232 output is not being used



**\$895**

60.30069

## PRECISION ADJUSTABLE ANGLE BLOCK SET

- Ideal for drilling, milling, grinding and set-up tasks
- Precision ground angle block
- 3-3/4 inches wide x 1-3/4 inches thick x 2 inches high
- Work capacity approximately 1-3/4 inches
- Angle accuracy  $\pm 10^\circ$
- Squareness within .0002 inch
- Hardened to 50-55 RC
- Includes fitted wooden case



Order Number	EDP Number	Description	Reg. Price	Promo Price
599-750-25	27397	Precision Adjustable Angle Block	\$220	<b>\$180</b>

## ULTRA PRECISION 17-PIECE ANGLE BLOCK SET

- 17-piece set consisting of angles: 1/4°, 1/2°, 1°, 2°, 3°, 4°, 5°, 10°, 15°, 20°, 25°, 30°, 35°, 40°, 45°, plus two riser blocks
- Made from hardened steel
- Ideal for grinding and milling machine applications
- Furnished in a custom wooden case



Order Number	EDP Number	Description	Reg. Price	Promo Price
599-921-17	26693	Precision Angle Block Set (17 Pieces)	\$460	<b>\$377</b>

## ULTRA PRECISION 12-PIECE ANGLE BLOCK SET

- Complete with a protective “shop-hardened” molded case
- Precision ground hardened steel
- Angular accuracy .0001 per inch,  $\pm 30$  arc seconds
- 3 inches long x 1/4 inch thick
- Simple, quick angle setups
- Eliminate calculations and avoid errors
- Complete set of 12 blocks: 1/4°, 1/2°, 1°, 2°, 3°, 4°, 5°, 10°, 15°, 20°, 25°, 30°



Order Number	EDP Number	Description	Reg. Price	Promo Price
599-921-18	26883	Angle Block Set (12 Pieces)	\$279	<b>\$229</b>

## TESA INTERAPID 312 LEVER TYPE DIAL TEST INDICATOR

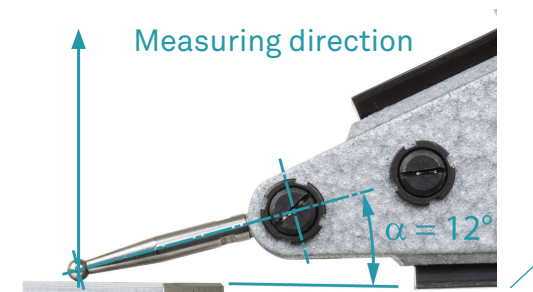
- Jewelled movement with rubies and with angular position of 12° for precise measuring
- Low measuring force of 0.12 N and large measuring range

Order Number	EDP Number	Description	Measuring Range (in)	Scale Division (in)	Dial (Ø in)	Reg. Price	Promo Price
74.111370	42775	Series 312B-1	.060	.0005	1-1/2	\$278	<b>\$228</b>
74.111371	86150	Series 312B-2	.060	.0005	1-1/5	\$276	<b>\$226</b>
74.111372	41680	Series 312B-3	.016	.0001	1-1/2	\$342	<b>\$280</b>
74.111373	41681	Series 312B-4	.016	.0001	1-1/5	\$347	<b>\$285</b>



## TESA INTERAPID 312 PERPENDICULAR MODEL

Order Number	EDP Number	Description	Measuring Range (in)	Scale Division (in)	Dial (Ø in)	Reg. Price	Promo Price
74.111377	41685	Series 312B-1V	.060	.0005	1-1/2	\$296	<b>\$243</b>
74.111378	41686	Series 312B-2V	.060	.0005	1-1/5	\$291	<b>\$239</b>



Stylus insert with angular position of 12°

All INTERAPID 312 models are designed to give a true reading when the angle between the stylus and the workpiece surface is 12° (see illustration).



# TESA $\mu$ -FINDER SET 31 AND SET 22

Mobile high-precision sets for quality control and service in a practical transport case



04430013P2

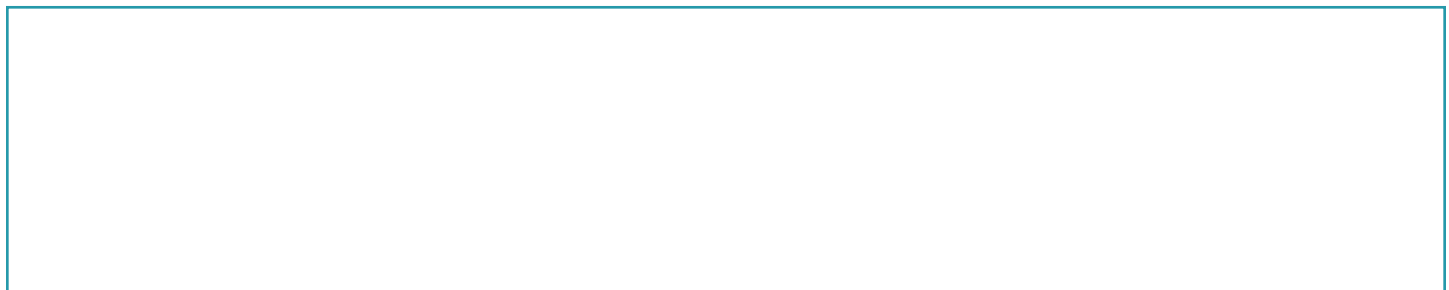


04430013P1

Order Number	EDP Number	Description	Reg. Price	Promo Price
04430013P1	76773	TWIN-T10 Finder Set 31	\$2,379	<b>\$1,890</b>
04430013P2	76774	TWIN-T10 Finder Set 22	\$1,883	<b>\$1,495</b>
32.10802	86188	GT-31 GAGE HEAD, 10P	\$881	<b>\$695</b>
32.10294	41010	GT-22 GAGE HEAD, 0.63N	\$358	<b>\$285</b>
04430013	45612	TWIN T-10	\$1,448	<b>\$1,160</b>



For questions regarding service, special applications and gaging solutions we can help! Our team of experts can also assist you and can be reached at [tesa.us@hexagon.com](mailto:tesa.us@hexagon.com)



We reserve the right to make changes to our products, especially due to technical improvements and further developments. All illustrations and technical data are without guarantee. All prices shown are non-binding price recommendations.